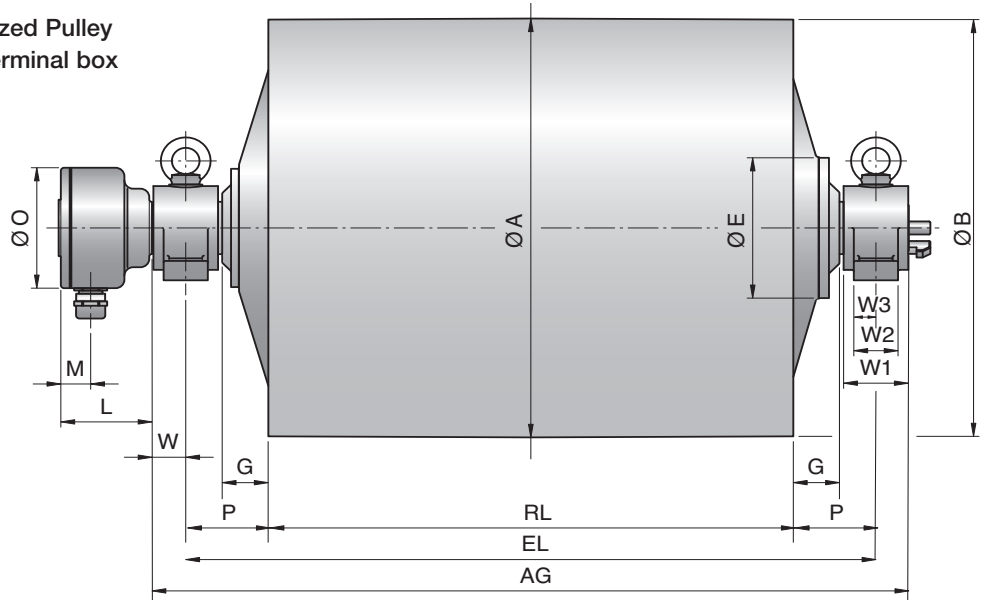


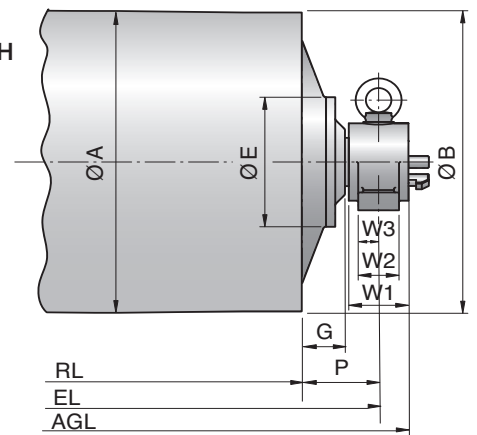


Motorized Pulley 800M & 800H, Ø 800 mm

Motorized Pulley
with terminal box

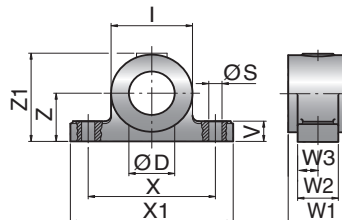


Idler Pulley
UT630M / UT630H



Type	A mm	B mm	C mm	D mm	E mm	G mm	L mm	M mm	O mm	P mm
800M	800	796	-	90	268	88	165	54	230	150
800H	800	796	-	120	330	80	200	62	260	150
UT630M	630	626	-	90	226	85	-	-	-	150
UT630H	630	626	-	120	330	75	-	-	-	150

Mounting brackets
AL90 & ALO90
AL120 & ALO120
AL121 & ALO121



Motorized Pulleys & Idler Pulleys (UT) Type	Material	Bracket description	Dimensions													Weight kg
			D mm	I mm	S mm	V mm	W mm	W1 mm	W2 mm	W3 mm	X mm	X1 mm	Z mm	Z1 mm		
800M & UT630M	Cast steel	AL90/ALO90	90	160	26	42	58.5	117	80	58.5	250	320	100	183	19.0	
800H & UT630H	Cast steel	AL120/ALO120	120	200	33	50	95	160	120	65.0	300	370	110	213	38.0	