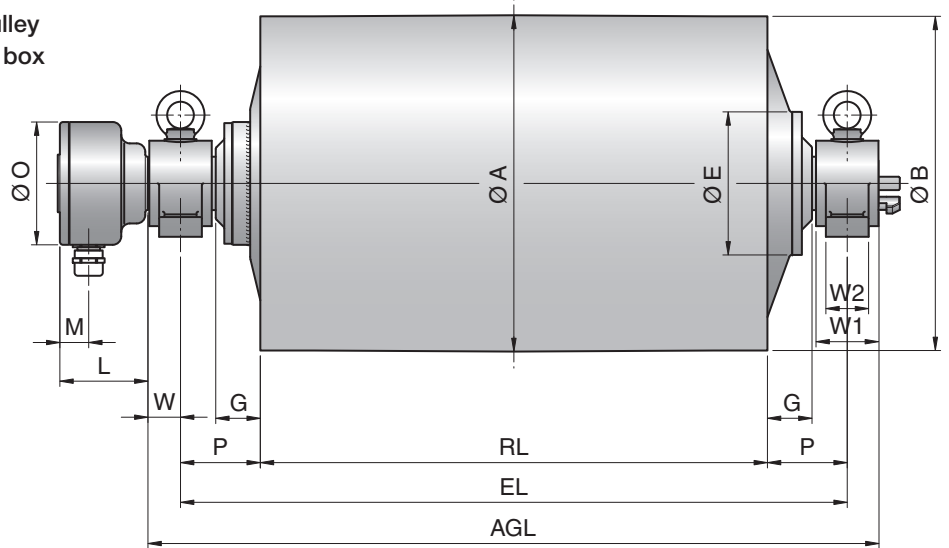


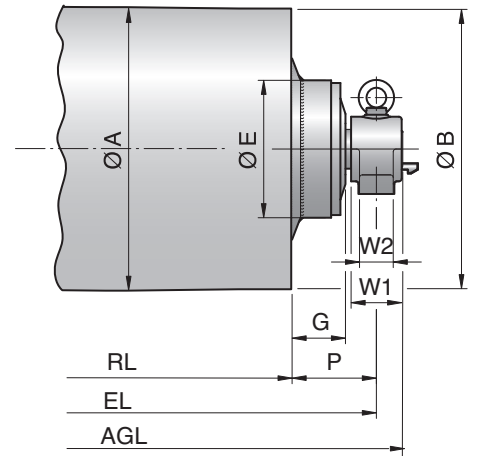


Motorized Pulley 630M & 630H, Ø 630 mm

Motorized Pulley
with terminal box

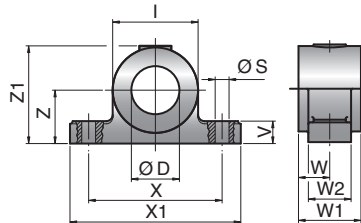


Idler Pulley
UT500H / UT502H



Type	A mm	B mm	C mm	D mm	E mm	G mm	L mm	M mm	O mm	P mm
630M	630	626	-	65	192	95	100	36	156	150
630H	630	626	-	90	268	88	165	54	230	150
UT500H	501	497	-	65	235	95	-	-	-	150
UT502H	501	497	-	90	226	85	-	-	-	150

Mounting brackets
AL65 & ALO65
AL90 & ALO90



Motorized Pulleys & Idler Pulleys (UT) Type	Material	Bracket description	Dimensions												Weight kg
			D mm	I mm	S mm	V mm	W mm	W1 mm	W2 mm	X mm	X1 mm	Z mm	Z1 mm		
630M & UT500H	Spheroidal cast iron	AL65 / ALO65	65	115	23	34	45	90	60	180	240	80	141	8.0	
630H & UT502H	Cast steel	AL90 / ALO90	90	160	26	42	58.5	117	80	250	320	100	183	19.0	