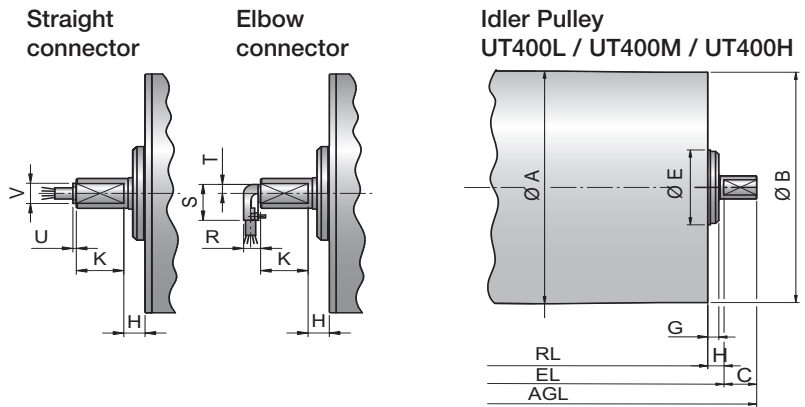
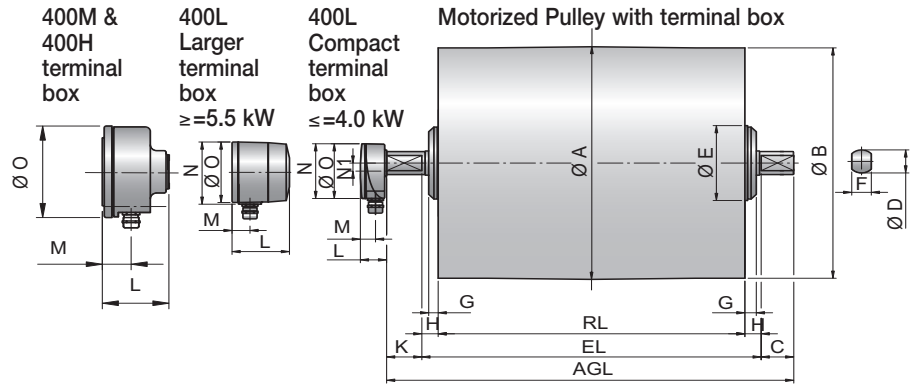


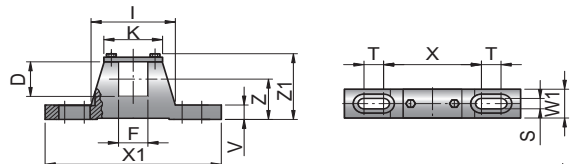


Motorized Pulley 400L, 400M & 400H, Ø 400 mm



Type	Motorized Pulley or idler Pulley (UT)									Compact terminal box ≤4.0 kW				Larger terminal box ≥5.5 kW				Straight connector ≤4.0 kW		Elbow connector ≤4.0 kW		
	A	B	C	D	E	F	G	H	K	L	M	N	N1	L	M	N	O	U	V	R	S	T
mm	mm	mm	mm	mm	mm	mm	mm	mm	mm	mm	mm	mm	mm	mm	mm	mm	mm	mm	mm	mm	mm	mm
400L	404	400	50	40	125	30	20	25	54	41	24	95	14	87	27	107	105	4	27	20	48	12
400M & 400H	404	400	50	60	194	45	23	25	50	-	-	-	-	100	36.5	-	162	-	-	-	-	-
UT400L	404	400	50	40	125	30	17	25	-	-	-	-	-	-	-	-	-	-	-	-	-	-
UT400M & UT400H	404	400	50	60	168	45	20	25	-	-	-	-	-	-	-	-	-	-	-	-	-	-

Mounting brackets KL41-HD & KL60



Motorized Pulleys Type	Material	Bracket description	Dimensions													Weight kg
			D	F	I	K	S	T	V	W1	X	X1	Z	Z1		
mm	mm	mm	mm	mm	mm	mm	mm	mm	mm	mm	mm	mm	mm	mm	mm	
400L	Steel	KL41-HD	40	30	84	62	14	20	22	40	110	190	50	83	2.1	
400M & 400H	Steel	KL60	60	45	132	90	18	30	25	50	150	270	70	115	4.8	